

APPLICATION

RH-R heaters are used in mechanical ventilation systems where it is necessary to periodically raise the temperature or maintain the temperature at a constant level in the rooms. They can also be used in technological processes that require the supply of constant temperature air.

CONSTRUCTION

Electric duct heaters suitable for installation directly in rectangular ducts. The housing is made of galvanized sheet steel and stainless steel heating elements. The heaters are fitted with a double overheating protection system as standard: the first automatic element (temp. +75°C), the second one with manual reset (temp. +85°C). Channel heaters should be selected so that the outlet air temperature does not exceed +45°C. The airflow rate of the heaters must not be less than 1,5 m/s. On request, the device can be supplied in any color from the RAL palette.

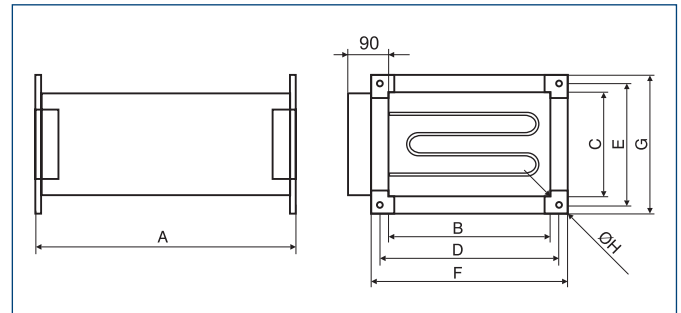
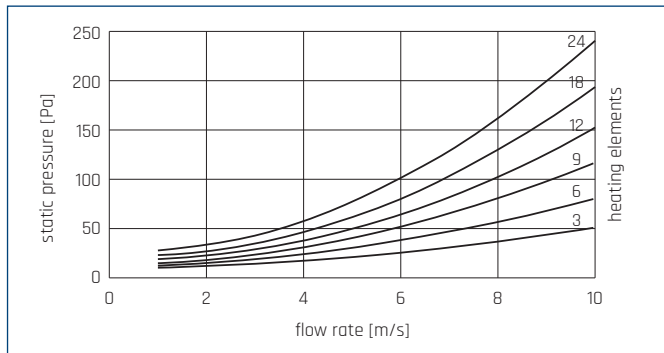


DESIGNATION and DIAMETER [mm]

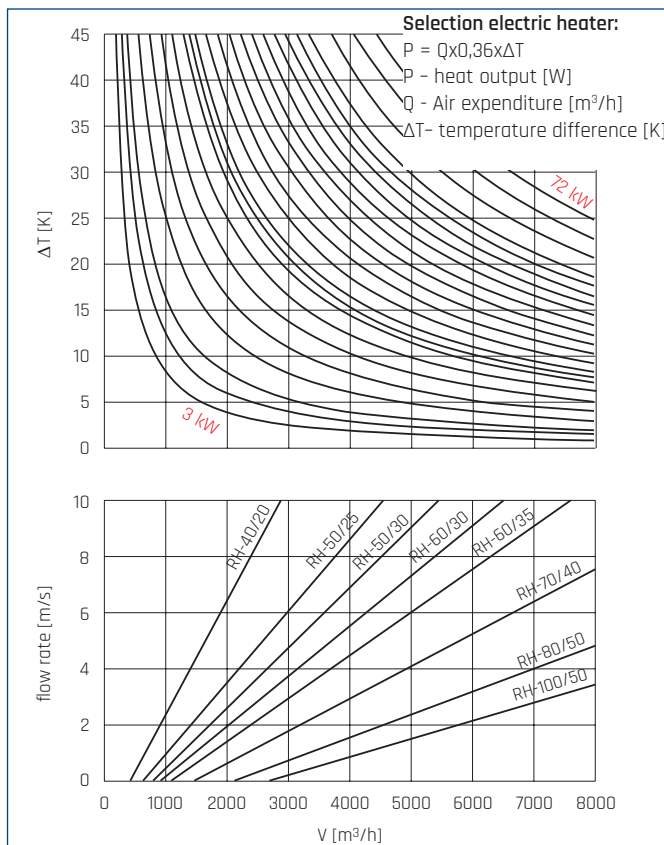
RH	-	40/20	-	12
1	2	3		

1. Rectangular duct heater
2. Duct diameter width/height
3. Power factor: 12,0*1000=12000W

FLOW RESISTANCE DUCT HEATER RH



SELECTION HEATER RH



Type	power [kW]	A	B	C	D	E	F	G	ØH
RH-40/20	3-6	320							
	9-12	500	398	198	420	220	440	240	9
RH-50/25	13,5-18	740							
	4,5-9	320							
RH-50/30	12-18	530	498	248	522	270	540	290	9
	21-27	740							
RH-60/30	4,5-9	320							
	12-18	532	500	298	522	320	540	338	9
RH-60/35	21-27	740							
	6-9	344							
RH-60/35	12-21	497	600	298	622	320	640	338	9
	24-30	650							
RH-60/35	6-9	344							
	12-21	497	600	348	622	370	640	388	9
RH-60/35	24-30	650							
	33-42	752							
RH-70/40	9-18	288							
	21-36	532	700	398	722	420	740	438	9
RH-70/40	39-54	777							
	60-72	1021							
RH-80/50	9-18	326							
	21-36	582	800	498	822	520	840	538	9
RH-80/50	39-54	800							
	60-72	1038							
RH-100/50	9-24	326							
	37-48	561	1000	498	1024	524	1056	556	13
RH-100/50	51-72	800							

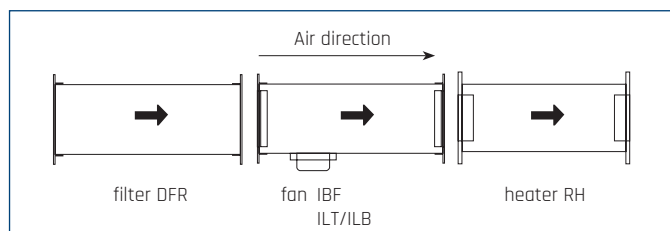
TABLE OF HEAT OUTPUT

Type	power [kW]	heating elements	voltage [V]	* size									
				40/20	50/25	50/30	60/30	60/35	70/40	80/50	100/50		
RH-*-30	3	3	3x400	40511895									
RH-*-45	4,5	3	3x400	40511900	40511935	40511956							
RH-*-60	6	3	3x400	40511905	40511936	40511957	40511562	40511575					

1- choose duct diameters (np. 500x250 -> 50/25), 2-match power and power-supply (np. 4,5kW/3x400V), 3-read article number and heater type (e.g. 40511935 -> RH-50/25-45)

Type	power [kW]	heating elements	voltage [V]	* size									
				40/20	50/25	50/30	60/30	60/35	70/40	80/50	100/50		
RH-*-30	3	3	3.10.400	40511895									
RH-*-45	4,5	3	3.10.400	40511900	40511935	40511956							
RH-*-60	6	3	3.10.400	40511905	40511936	40511957	40511562	40511575					
RH-*-90	9	3	3.10.400	40511910	40511940	40511958	40511966	40511576					
		6	3.10.400						40511973	40511631	40511671		
RH-*-120	12	6	3.10.400	40511911	40511945	40511959	40511564	40511577	40511601	40511977	40511985		
RH-*-135	13,5	6	3.10.400		40511946	40511960							
		9	3.10.400	40511913									
RH-*-150	15	6	3.10.400		40511947	40511961	40511566	40511969	40511971	40511633	40511673		
		9	3.10.400	40511914									
RH-*-180	18	6	3.10.400		40511950	40511965	40511567	40511580	40511974	40511634	40511674		
		9	3.10.400	40511916									
RH-*-210	21	6	3.10.400				40511568	40511581				40511675	
		9	3.10.400		40511955	40511962							
		12	3.10.400						40511604	40511635			
RH-*-225	22,5	9	3.10.400		40511951	40511963		40511970					
RH-*-240	24	6	3.10.400									40511990	
		9	3.10.400		40511952	40511964	40511569	40511582					
		12	3.10.400						40511605	40511978			
RH-*-270	27	9	3.10.400		40511953	40511954	40511570	40511975					
		12	3.10.400						40511976	40511636	40511677		
RH-*-300	30	9	3.10.400				40511571	40511584					
		12	3.10.400						40511607	40511637	40511677		
RH-*-330	33	12	3.10.400					40511585	40511608	40511638	40511679		
RH-*-360	36	12	3.10.400					40511982	40511609	40511979	40511995		
RH-*-390	39	12	3.10.400					40511587				40511681	
		18	3.10.400						40511610	40511639			
RH-*-420	42	12	3.10.400					40511588				40511682	
		18	3.10.400						40511611	40511640			
RH-*-450	45	12	3.10.400						40511612	40511641			40511683
		18	3.10.400										40511684
RH-*-480	48	12	3.10.400						40511613	40511642			
		18	3.10.400										
RH-*-510	51	18	3.10.400						40511614	40511643	40511685		
RH-*-540	54	18	3.10.400						40511615	40511644	40511686		
RH-*-600	60	18	3.10.400									40511687	
		24	3.10.400						40511616	40511645			
RH-*-630	63	24	3.10.400							40511646			
RH-*-660	66	18	3.10.400									40511688	
		24	3.10.400						40511617	40511647			
RH-*-720	72	18	3.10.400									40511689	
		24	3.10.400						40511618	40511980			

SUGGESTED ASSEMBLY



ACCESSORIES

