

Axial jet fans type JFV, JFVR



Axial jet fans for smoke extraction JFSR



DESIGNATION

JF	S	R	/	2	-	315	-	075	T
1	2	3	4	5	6	7			8

- Fan type
JF - jet fan
- Application
S - smoke
V - ventilation
- R - reversible
- Motor type and speed
2 - single speed, ~2900 rev./min
2/4 - two speed, ~2900/1450 rev./min
- Nominal diameter
- Nominal power supply
750W / 100 = 075
- T - three-phase power supply 3x400V

APPLICATION

Axial jet used to cause air movement in a closed parking, tunnels and large spaces.

- JFV and JFVR for general ventilation, with air temperature from -15°C to +50°C
- used in ventilation systems whose function is to remove contaminated air containing eg. carbon dioxide, nitrogen oxides, and sulfur.
- JFSR for general and smoke ventilation with an air temperature up to +400°C for up to 120 minutes - class F₁₂₀400
- the ventilation function is carried out during normal operation of the fans and consists in removing polluted air from ventilated spaces,
- smoke exhaust function is carried out in the event of a fire.

The optimal fan system should be verified by means of CFD simulation, so that the entire system is designed in accordance with the requirements of the relevant standards and maintaining the architectural specificity of the given space.

CONSTRUCTION

JFV, JFVR

- powder coated steel housing (RAL5010 - blue as standard),
- two galvanized mounting feet,
- unidirectional rotor is made of polypropylene,
- reversible monolithic rotor made of aluminium alloy,
- terminal box for electrical connection on the housing,
- as standard two silencers made of aluminium sheet,
- steel, painted protective mesh inlet and outlet (RAL5010), combined with a properly shaped aerodynamically flow-compensated confractor,
- four sizes: 315, 355, 400 and 450 in one and two speed versions,
- JFV are one-way fans, while JFVR are two-way (reversible).

JFSR

- galvanized casing,
- two galvanized mounting feet,
- the rotor is entirely cast in aluminium,
- steel hub, galvanized, screwed with a paddle ring,
- terminal box for electrical connection on the housing,
- as standard two silencers made of aluminium sheet,
- galvanized protective mesh at the inlet and outlet (RAL5010), combined with a properly shaped aerodynamically flow confractor,
- four sizes: 315, 355, 400 and 450 in one and two speed versions,
- two-way (reversible).

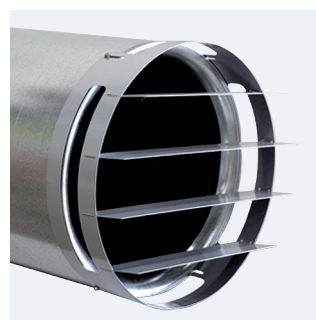
MOTOR

JFV, JFVR

- asynchronous, three-phase 400V 50Hz, one-speed 2-pole or two-speed 2/4-pole,
- degree of protection IP55,
- insulation class F.

JFSR

- asynchronous, three-phase 400V 50Hz, one-speed 2-pole or two-speed 2/4-pole,
- degree of protection IP55,
- insulation class H.
- certificated in the temperature class F₁₂₀400.



Optional deflector on outlet.

Galvanized steel deflectors assembled on a mounting flange. The whole unit can be added to the fan outlet to direct the flow exhaust air.

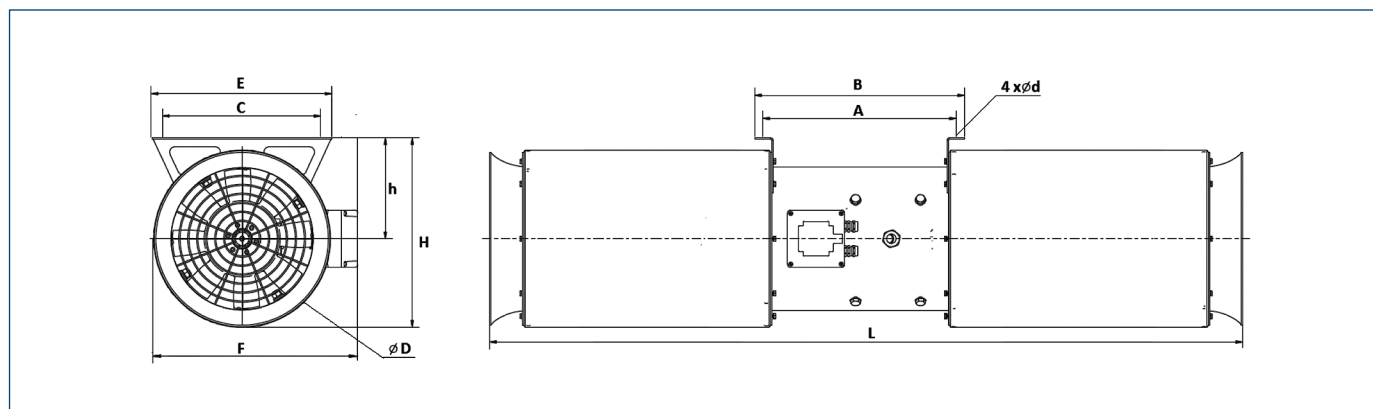
TECHNICAL CHARACTERISTICS

Type	speed	voltage	maximum absorbed power	maximum absorbed current	calculated thrust	measured thrust*	velocity	airflow max	sound pressure level**	weight	article number
	[r.p.m.]	[V]	[kW]	[A]	[N]	[N]	[m/s]	[m³/h]	[dB(A)]	[kg]	
Unidirectional, 1-speed fan - air temperature from -15°C to +50°C											
JFV/2-315-075T	2840	400	0,75	1,9	24	20	16	4500	62	51	422535000
JFV/2-355-110T	2840	400	1,1	2,7	42	36	19	6700	73	61	422535010
JFV/2-400-150T	2820	400	1,5	3,3	60	56	20	9000	76	79	422535020
JFV/2-450-220T	2890	400	2,2	4,6	87	79	21	12200	79	100	422535030
Unidirectional, 2-speed fan - air temperature from -15°C to +50°C											
JFV/2/4-315-100/025T	2780/1370	400 YY/Y	1,0/0,25	2,4/0,7	24/6	21/5	16/8	4500/2250	62/56	52	422535005
JFV/2/4-355-100/025T	2780/1370	400 YY/Y	1,0/0,25	2,4/0,7	42/10	36/9	19/9,5	6700/3350	73/62	63	422535015
JFV/2/4-400-140/090T	2750/1360	400 YY/Δ	1,4/0,9	3,6/2,6	60/15	56/14	20/10	9000/4500	76/64	80	422535025
JFV/2/4-450-200/050T	2750/1405	400 YY/Δ	2,0/1,4	4,3/3,4	87/22	79/20	21/10,5	12200/6100	79/68	100	422535035
Reversible, 1-speed fan - air temperature from -15°C to +50°C											
JFVR/2-315-075T	2840	400	0,75	1,9	23	18	15	4400	65	54	422535100
JFVR/2-355-110T	2840	400	1,1	2,7	33	28	16	5900	73	64	422535110
JFVR/2-400-150T	2820	400	1,5	3,3	60	56	19	9400	76	82	422535120
JFVR/2-450-300T	2890	400	3	5,9	83	76	20	12400	79	102	422535130
Reversible, 2-speed fan - air temperature from -15°C to +50°C											
JFVR/2/4-315-100/025T	2780/1370	400 YY/Y	1,0/0,25	2,4/0,7	23/6	18/5	15/7,5	4400/2200	64/57	56	422535105
JFVR/2/4-355-140/090T	2780/1370	400 YY/Y	1,0/0,25	2,4/0,7	33/8	28/7	16/8	5900/2450	73/61	68	422535115
JFVR/2/4-400-200/050T	2750/1360	400 YY/Δ	1,4/0,9	3,6/2,6	60/15	56/14	19/9,5	9400/4700	76/64	85	422535125
JFVR/2/4-450-310/080T	2900/1440	400 YY/Δ	3,1/0,8	7,4/1,9	83/21	76/19	20/10	12400/6200	78/66	102	422535135
Reversible, 1-speed fan - smoke extractor F400											
JFSR/2-315-075T	2850	400	0,75	1,69	23	18	15	4400	65	63	422535300
JFSR/2-355-110T	2870	400	1,1	2,39	33	28	16	5900	73	71	422535310
JFSR/2-400-150T	2870	400	1,5	3,2	60	56	19	9400	76	95	422535320
JFSR/2-450-300T	2880	400	3	5,5	83	76	20	12400	79	117	422535330
Reversible, 2-speed fan - smoke extractor F400											
JFSR/2/4-315-075/015T	2870/1460	400 YY/Y	0,75/0,15	1,61/0,85	23/6	18/5	15/7,5	4400/2200	64/57	63	422535305
JFSR/2/4-355-130/025T	2840/1415	400 YY/Y	1,3/0,25	2,7/1,3	33/8	28/7	16/8	5900/2450	73/61	78	422535315
JFSR/2/4-400-180/037T	2845/1445	400 YY/Y	1,8/0,37	3,5/1,54	60/15	56/14	19/9,5	9400/4700	76/64	95	422535325
JFSR/2/4-450-260/065T	2915/1465	400 YY/Y	2,6/0,65	5,3/1,6	83/21	76/19	20/10	12400/6200	78/66	117	422535335

* thrust measured in accordance with PN-EN ISO 13350,

** sound pressure at 3m.

DIMENSIONS [mm]



Type	A	B	C	Ød	ØD	E	F	h	H	L
JFx-315	430	466	350	10	400	400	458	225	422	2054
JFx-355	430	466	400	10	450	450	503	226	440	2134
JFx-400	436	476	450	12	510	510	581	260	510	2214
JFx-450	436	476	515	12	605	605	639	290	563	2338