



Outlet louvre shutter side



Inlet guard side

## APPLICATION

Wall mounted axial flow fans suitable for use in agriculture (eg. farms, drying rooms, greenhouses) and also in industries (factories, workshops). Available with blackout kit - specially recommended for poultry and gardening.

## CONSTRUCTION

Wall mounted axial flow fans with belt driven impeller (except Ø800 direct driven models) with galvanized steel sheet structure. Outlet louvre shutter with mechanical opening. Inlet guard and impeller made of galvanized steel. Working temperature from -20°C to +40°C. On request unit can be supplied without automatic louvre shutter and replaced with a steel mesh guard on the discharge.

## MOTOR

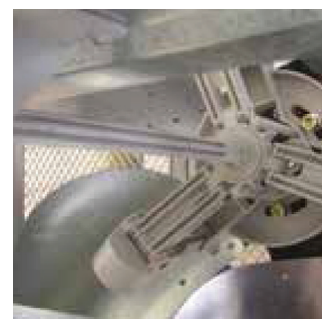
Electrical supply: single phase 230V 50Hz (HIB) or three phase 230/400V 50Hz (HIT). IP 55, Class F, with thermal protector included.

Electrical wiring diagram on page 662.



### Compact design

Robust casings manufactured from galvanized steel sheet.

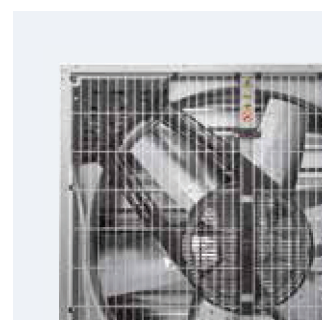


### Outlet louvre shutter with automatic opening

when switching on the fan, to avoid opening when fan is not operating.



Metallic protection guard on the inlet side, made of galvanized steel.



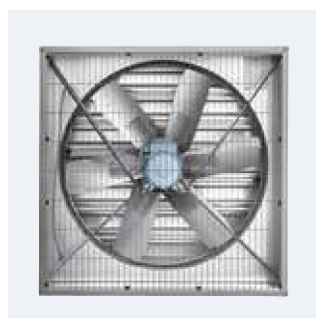
Protected belt-driven assembly  
Trapezoidal belt drive protected by a belt guard.



WWW

DTR

CE



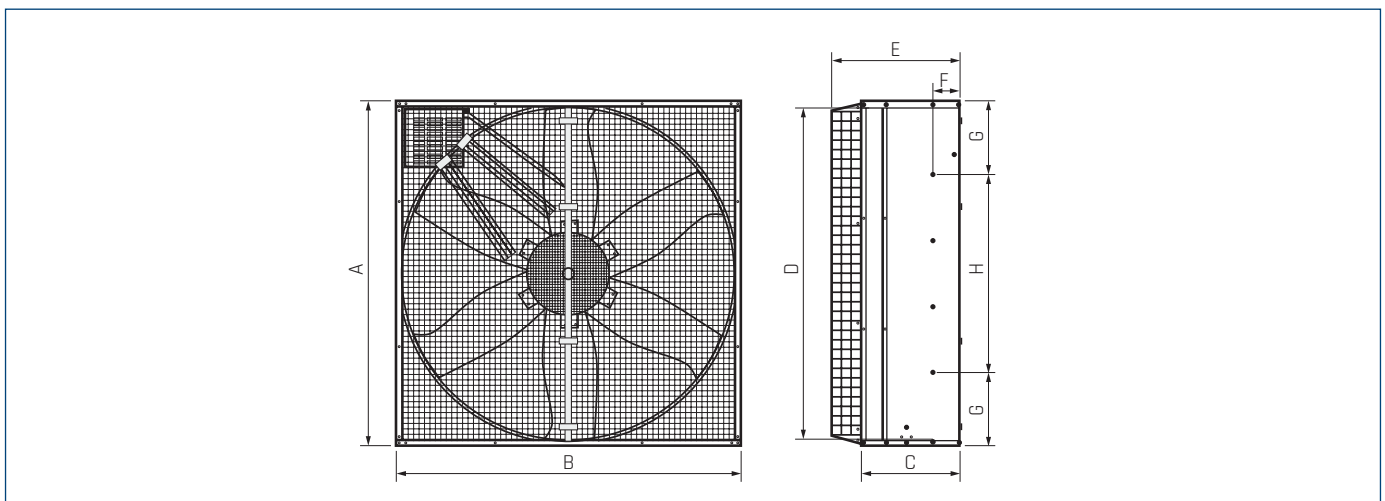
Ø800 direct driven models.

## TECHNICAL CHARACTERISTICS

Type	motor speed	impeller speed	motor power	max. absorbed current 230V   400V		max. air volume	sound pressure level*	weight	regulator	article number
	[r.p.m.]	[r.p.m.]	[kW]	[A]	[A]	[m <sup>3</sup> /h]	[dB(A)]	[kg]		
<b>SINGLE PHASE</b>										
HIB-800-P-0,55	910	935	0,55	3,2	-	15450	77	48	-	42520405
HIB-1000-P-0,37	1400	481	0,37	3	-	20700	68	50	-	42520434
HIB-1000-P-0,55	1400	525	0,55	4,4	-	22600	68	52	-	42520435
HIB-1000-P-0,75	1400	579	0,75	5,5	-	24900	73	54	-	42520445
HIB-1250-P-0,75	1400	393	0,75	5,5	-	34300	64	69	-	42520455
HIB-1250-P-1,1	1400	473	1,1	7,6	-	40900	69	74	-	42520475
HIB-1250-P-1,5	1400	516	1,5	10,9	-	44500	75	80	-	42520465
<b>THREE PHASE</b>										
HIT-800-P-0,55	910	935	0,55	3,2	1,6	15450	77	48	inverter 0,75 / RMT 2,5	42520315
HIT-1000-P-0,37	1400	481	0,37	1,6	0,9	20700	68	50	inverter 0,4 / RMT 1,5	42520325
HIT-1000-P-0,55	1400	525	0,55	2,4	1,4	22600	68	52	inverter 0,75 / RMT 1,5	42520335
HIT-1000-P-0,75	1400	579	0,75	3,4	2,0	24900	73	54	inverter 0,75 / RMT 2,5	42520340
HIT-1250-P-0,75	1400	393	0,75	3,4	2,0	34300	64	69	inverter 0,75 / RMT 2,5	42520355
HIT-1250-P-1,1	1400	473	1,1	4,5	2,6	40900	69	74	inverter 1,5 / RMT 5	42520366
HIT-1250-P-1,5	1400	516	1,5	6,3	3,6	44500	75	80	inverter 1,5 / RMT 5	42520376

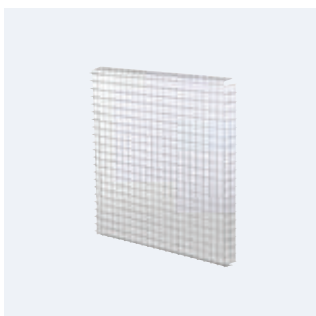
\* Sound pressure measured in free field condition at 1,5m

## DIMENSIONS [mm]



Type	A	B	C	D	E	F	G	H
HIT / HIB 800 P	910	910	530	780	645	250	225	455
HIT / HIB 1000 P	1145	1145	400	1060	515	109	225	692
HIT / HIB 1250 P	1380	1380	400	1340	515	114	292	795

## MOUNTING ACCESSORIES\*



### Safety guard kit

Electro-welded steel mesh protection guard with frame to fit at the NP type fan discharge to prevent access to the moving parts. The installations must include this accessory to comply with the European Machinery Directive if the lowest point of the fan is mounted at less than 2,5 m from the floor level.



### Black-Out Kit

Metallic protection panel which blocks the entry of natural light. Specially recommended for poultry ventilation applications.

\* on request.

## PERFORMANCE CURVES

- $q_v$ : Air volume in  $m^3/h$  and  $m^3/s$ .
- $p_{sf}$ : Static pressure in Pa.
- Dry air at  $20^\circ C$  and  $760$  mmHg.
- Performance data in accordance with ISO 5801

